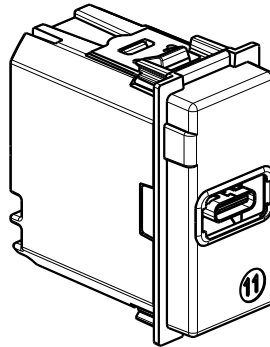


USB Type-C charger - 20 W - Power Delivery



1. USE

PC, tablets, smartphones.
Optimizes the charging speed of Power Delivery terminals.

USB Power Delivery is the new fast charging technology built into iOS/Apple and Android/Google devices.

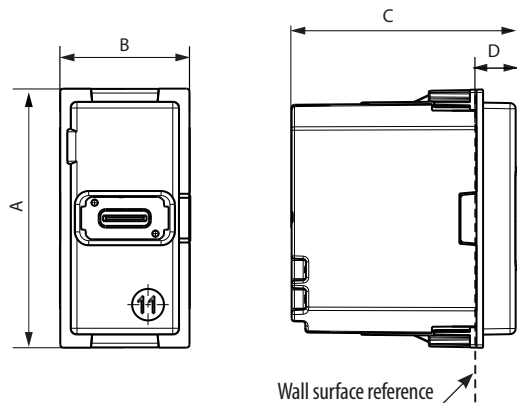
Technology enabling a faster charging level than conventional technologies, operating via an exchange between the terminal and the charger.

2. RANGE

Designation	Item	Related Cover Codes
20W USB charger TYPE C Power Delivery 1 module	K4192C	<input type="checkbox"/> KW11 <input type="checkbox"/> KM11 <input type="checkbox"/> KG11

Color code: White Sand Black

3. DIMENSIONS (mm)



A	B	C	D
45	22	41	8

4. CONNECTION

Type of terminals: with screws
Terminal capacity: 1 x 2.5 mm²
Stripping length: 6 mm

Circuit Breaker: MAX. 16 A

Necessary safety precautions:



Switch OFF the power at the main circuit breaker. Make sure that the power is OFF before continuing with the installation.

5. TECHNICAL CHARACTERISTICS

5.1 Mechanical characteristics

(considering a complete installation, including cover plate)

Impact tests: IK 04
Penetration by solid bodies/liquid: IP 40

5.2 Material characteristics

Base: PC V-0 class
Cover: PC V-0 class

Self-extinguishing:
850°C/30 s for insulating components holding live parts in place.
650°C/30 s for other insulating components.

5.3 Electrical characteristics

All values listed below are measured at an ambient temperature of + 20° and after 30 minutes of operation.

Nominal input voltage	100-240 V~
Nominal input frequency	50/60 Hz
Nominal input current	0.5 A
Nominal output current	3.0 A ^(*)
Output power	20 W
Nominal output voltage	5.0 V ~ ^(*)
Average efficiency in active mode	86 %
Stand-by power consumption	< 0.05W
Consumption class without load and average level of efficiency: Level VI	
Protection class	II - Low voltage

(*) Optimise/voltage:

5.0 V ~ →	3.0 A - 15 W
9.0 V ~ →	2.2 A - 20 W
12.0 V ~ →	1.6 A - 20 W

Note:

To optimize the charging time of your device, ensure turn it off during the charging phase.

5.4 Climate characteristics

Storage temperature: -20°C to +70°C
Operating temperature: 5°C to +40°C

6. CLEANING

Surface cleaning with a cloth.
Do not use: acetone, tar remover, trichloroethylene.

Caution: Always test before using other special cleaning products

7. STANDARDS AND APPROVALS

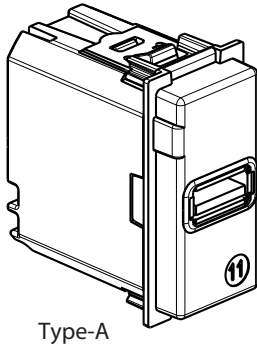
Power Delivery certified product: open standard for fast charging via an exchange between the terminal and the charger.

Compliance with installation and manufacturing standards.
Refer to e-catalogue.

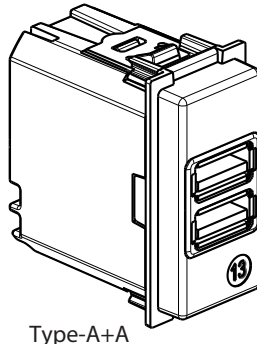
LIVING NOW

USB Type A charger - 15W
 USB Type A+A charger - 15W
 USB Type A+C charger - 15W
 USB Type C+C charger - 15W

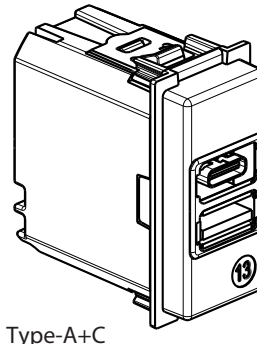
K4191A
 K4191AA
 K4191AC
 K4191CC



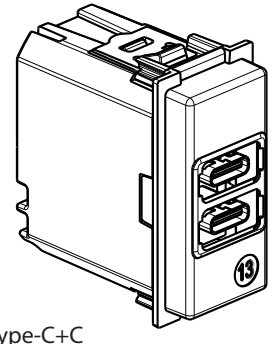
Type-A



Type-A+A



Type-A+C



Type-C+C

1. USE

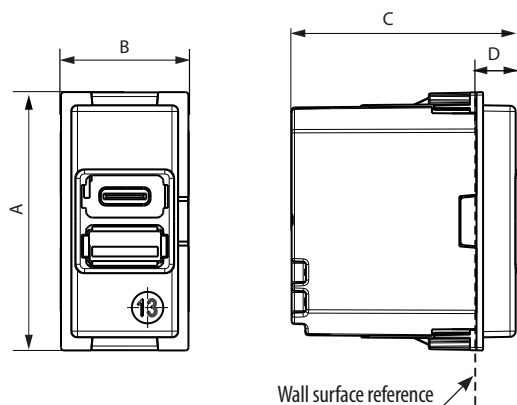
For recharging portable devices such as phones, smartphones, MP3 or MP4, loudspeakers, watches, game consoles, powerbanks.

2. RANGE

Designation	Item	Related Cover Codes
USB charger TYPE A - 1 module	K4191A	<input type="checkbox"/> KW11 <input type="checkbox"/> KM11 <input checked="" type="checkbox"/> KG11
USB charger TYPE A + A - 1 module	K4191AA	<input type="checkbox"/> KW13 <input type="checkbox"/> KM13 <input checked="" type="checkbox"/> KG13
USB charger TYPE A+C - 1 module	K4191AC	
USB charger TYPE C + C - 1 module	K4191CC	

Color code: White Sand Black

3. OVERALL DIMENSIONS



A	B	C	D
45	22	41	8

4. CONNECTION

Type of terminals: with screws
 Terminal capacity: 1 x 2.5 mm²
 Stripping length: 6 mm
 Circuit Breaker: MAX. 16 A

Necessary safety precautions:



Switch OFF the power at the main circuit breaker.
 Make sure that the power is OFF before continuing with the installation.

5. TECHNICAL CHARACTERISTICS

5.1 Mechanical characteristics

(considering a complete installation, including cover plate)

Impact tests: IK 04
 Penetration by solid bodies/liquid: IP 40

5.2 Material characteristics

Base: PC V-0 class
 Cover: PC V-0 class

Self-extinguishing:

850°C/30 s for insulating components holding live parts in place.
 650°C/30 s for other insulating components.

5.3 Electrical characteristics

All values listed below are measured at an ambient temperature of +20° and after 30 minutes of operation.

Nominal input voltage	100-240 V~
Nominal input frequency	50/60 Hz
Nominal input current	0.5 A
Nominal output current	3.0 A
Output power	15 W
Nominal output voltage	5.0 V=
Average efficiency in active mode	85 %
Stand-by power consumption	< 0.1W
Consumption class without load and average level of efficiency: Level VI	
Protection class	II - Low voltage

Note: To optimize the charging time of your device, ensure turn it off during the charging phase.

5.4 Climate characteristics

Storage temperature: -20°C to +70°C
 Operating temperature: 5°C to +40°C

6. CLEANING

Surface cleaning with a cloth.
 Do not use: acetone, tar remover, trichloroethylene.

Caution: Always test before using other special cleaning products

7. STANDARDS AND APPROVALS

Compliant with installation and manufacturing standards.
 See e.catalogue